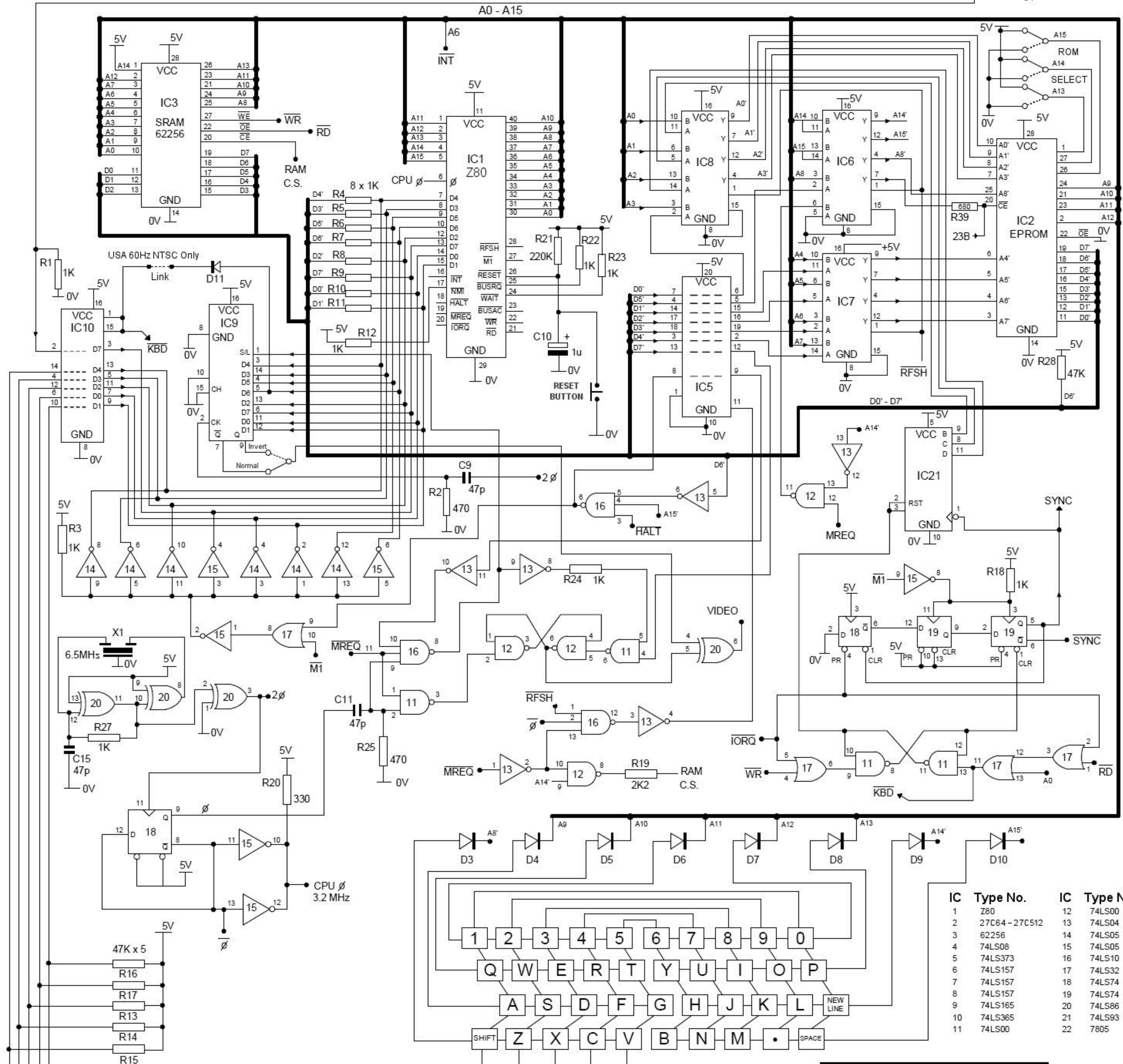
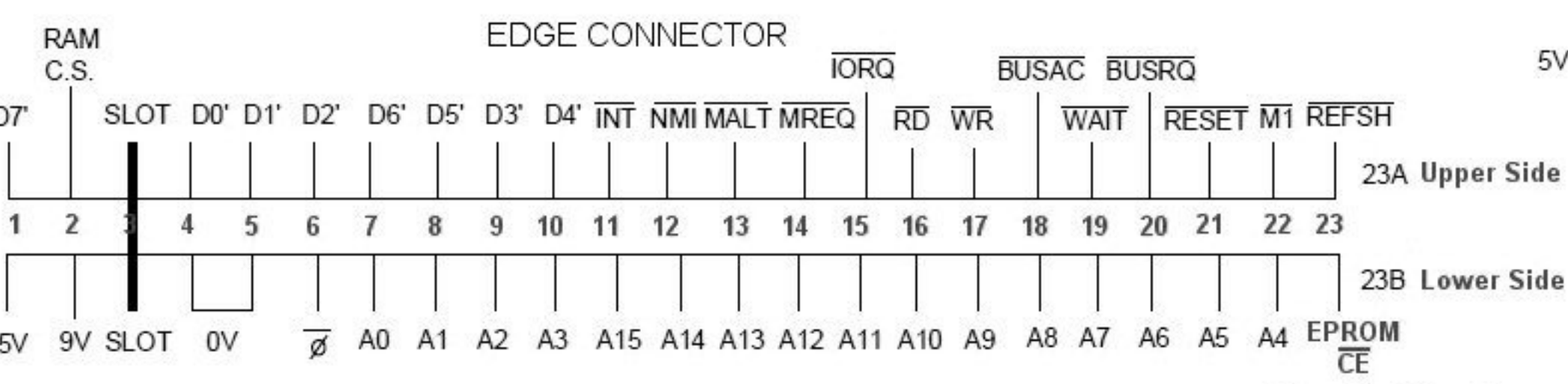
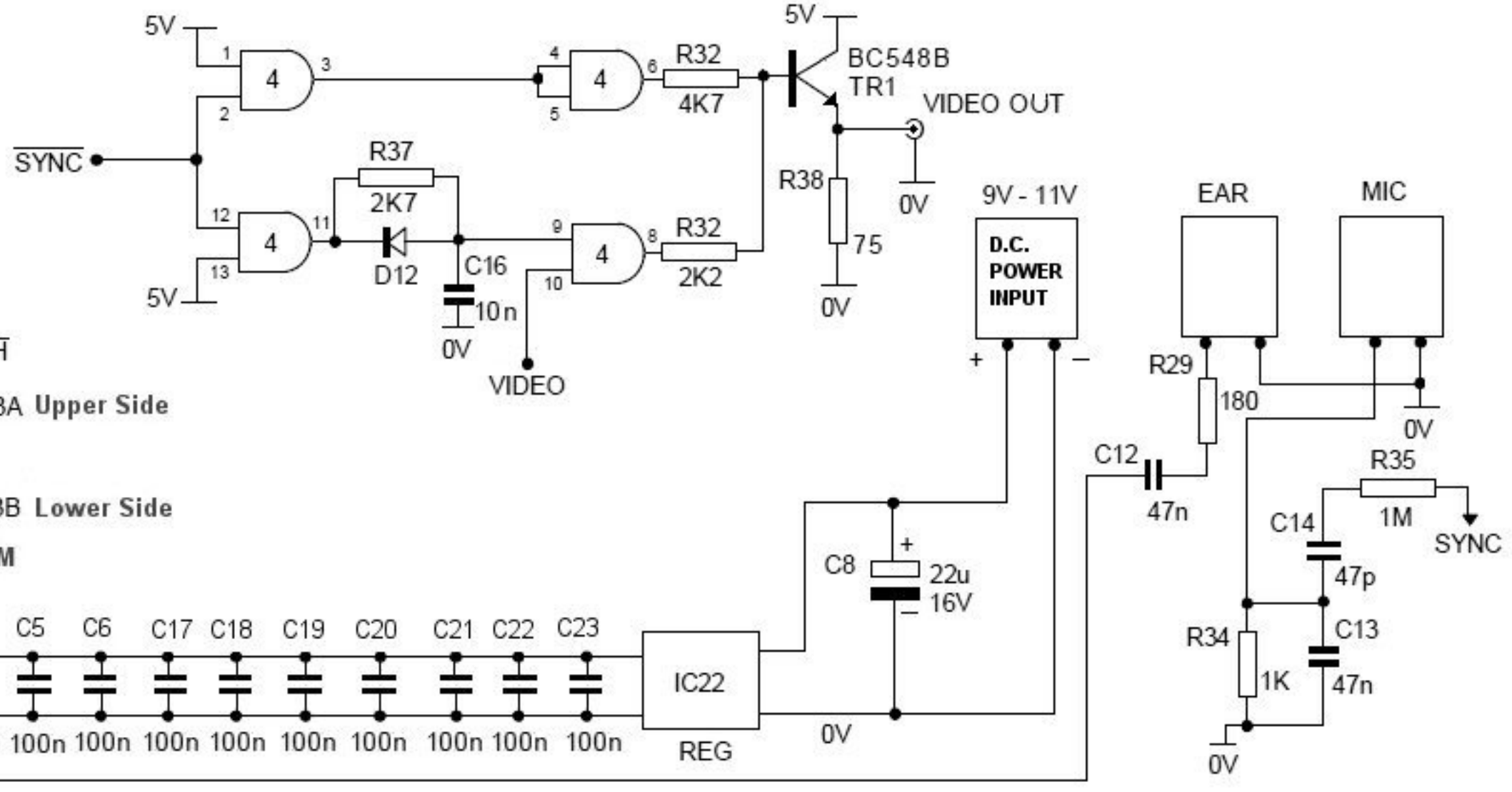


# Sinclair ZX80 Clone - Circuit Diagram

## Using Tynemouth Software Minstrel PCB Issue 2

Modifications made to original ZX80 circuit by Louis Scully  
**SCULLCOM HOBBY ELECTRONICS**



IC	Type No.	IC	Type No.
1	Z80	12	74LS00
2	27C64-27C512	13	74LS04
3	62256	14	74LS05
4	74LS08	15	74LS05
5	74LS373	16	74LS10
6	74LS157	17	74LS32
7	74LS157	18	74LS74
8	74LS157	19	74LS74
9	74LS165	20	74LS86
10	74LS365	21	74LS93
11	74LS00	22	7805

EPROM IMAGE SELECTION			
ROM Select	A13	A14	A15
ZX80 ROM Image	LOW	HIGH	HIGH
ZX81 ROM Image	HIGH	HIGH	HIGH