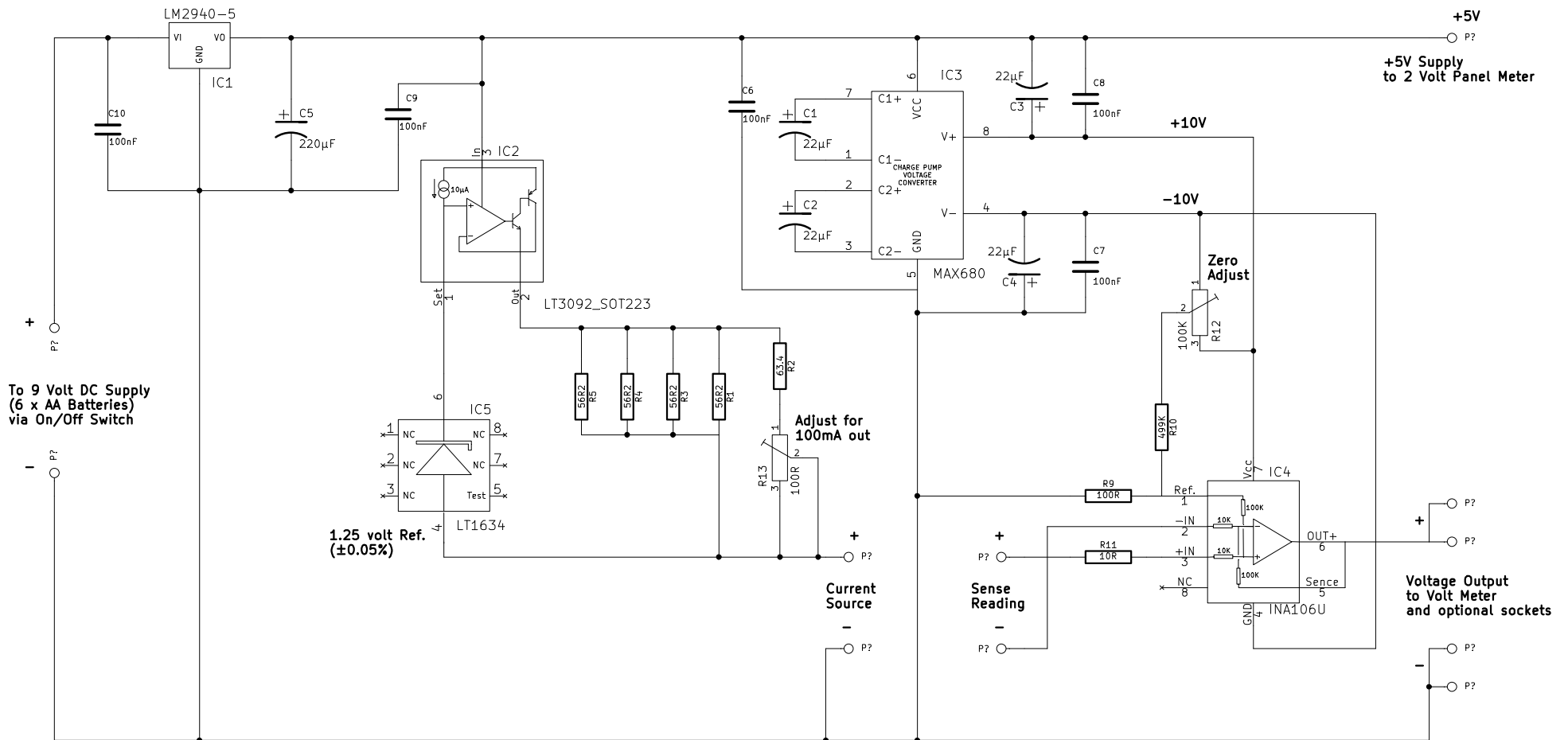


SCULLCOM HOBBY ELECTRONICS MILLIOHM METER MK2



All fixed resistors are ±0.1% tolerance

File: Milliohm_Meter_Mk2.sch

Sheet: /

Title:

Size: A4 Date: 18 aug 2016

KiCad E.D.A. eeschema (2012-01-19 BZR 3256)-stable

Rev:

Id: 1/1